

# DH/DHC Spot LED Machine Lamp

Made  
In  
Taiwan

Patent

New Type M 327965  
Invention I 330239

## Features

### Light Source

1. COB : ◆ With COB technology, small size chip, heat transfer quickly. High power factor and lumen, it provides a great effective illumination.
  - ◆ 6 leds module design, the color rendering is prosperous.
2. 6 LEDs : ◆ 80% energy saving.
  - ◆ Impervious to vibration.

### Construction

- ◆ Lamp head with two shades for fast heat dissipation that maintains constantly low temperature and gives extensive bulb service life.
- ◆ Resistant to water, collants and lubricants.
- ◆ Aluminum alloy with anode treated of lamp head and arms; elbow and base are made of engineering plastic that creates a durable lamp.

## Model / Specification



### DH Series- 6 LED Module / Power 12W

**( hole spacing 45mm)**

#### Model No.

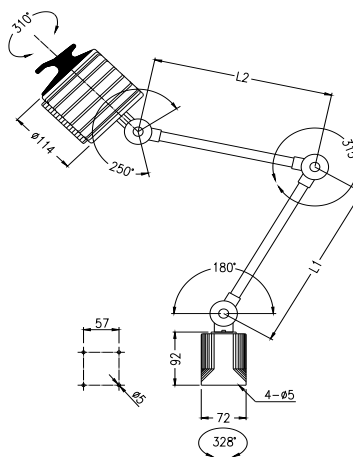
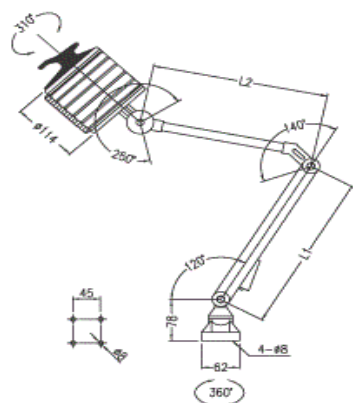
Voltage	Voltage	Voltage	Length
12V AC/DC	24V AC/DC	AC100V ~ 240V	L1*L2(mm)
DHN-12	DHN-24	-	-
DH21-12	DH21-24	DH21-X	240*220
DH22-12	DH22-24	DH22-X	240*280
DH23-12	DH23-24	DH23-X	240*380
DH35-12	DH35-24	DH35-X	320*490
DH45-12	DH45-24	DH45-X	420*490

### DHC Series- 6 LED Module / Power 12W

**( hole spacing 57mm)**

#### Model No

Voltage	Voltage	Voltage	Length
12V AC/DC	24V AC/DC	AC100V ~ 240V	L1*L2(mm)
DHCNT-12	DHCNT-24	DHCNT-X	-
DHC10T-12	DHC10T-24	DHC10T-X	220
DHC20T-12	DHC20T-24	DHC20T-X	280
DHC30T-12	DHC30T-24	DHC30T-X	380
DHC11T-12	DHC11T-24	DHC11T-X	220*220
DHC22T-12	DHC22T-24	DHC22T-X	280*280
DHC33T-12	DHC33T-24	DHC33T-X	380*380



# DHB Spot LED Machine Lamp

Made In Taiwan

Patent

New Type M 327965  
Invention I 330239

## Features

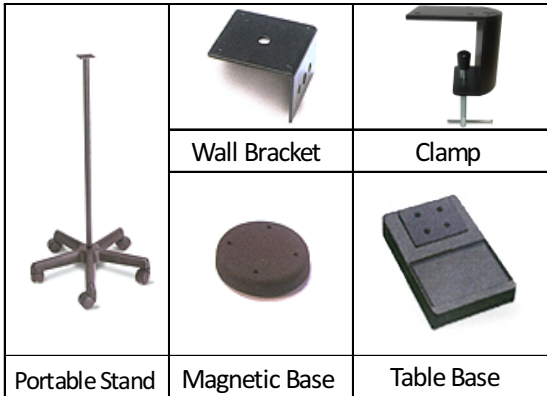
### Light Source

1. COB : ◆ With COB technology, small size chip, heat transfer quickly. High power factor and lumen, it provides a great effective illumination.
2. 6 LEDs : ◆ 6 leds module design, the color rendering is prosperous.
  - ◆ 80% energy saving.
  - ◆ Impervious to vibration.

### Construction

- ◆ Lamp head with two shades for fast heat dissipation that maintains constantly low temperature and gives extensive bulb service life.
  - ◆ Resistant to water, collants and lubricants.
- Aluminum alloy with anode treated of lamp head and arms; elbow and base are made of engineering plastic that creates a durable lamp.

## Accessory(Optional)



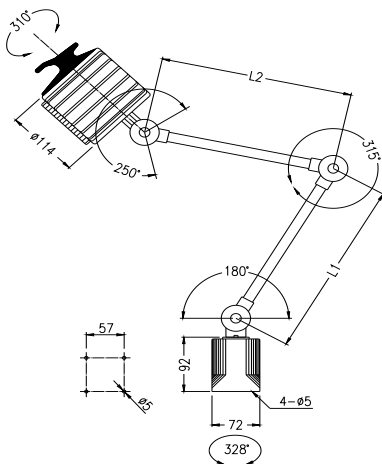
## Accessory(Optional)

DHB Series- COB / Power 16W

**( hole spacing 57mm)**

Model No.

Voltage	Voltage	Voltage	Length
12V AC/DC	24V AC/DC	AC100V~240V	L1*L2(mm)
DHBNT-12	DHBNT-24	DHBNT-X	-
DHB10T-12	DHB10T-24	DHB10T-X	220
DHB20T-12	DHB20T-24	DHB20T-X	280
DHB30T-12	DHB30T-24	DHB30T-X	380
DHB11T-12	DHB11T-24	DHB11T-X	220*220
DHB22T-12	DHB22T-24	DHB22T-X	280*280
DHB33T-12	DHB33T-24	DHB33T-X	380*380



EMINENT MAIN INDUSTRIAL  
CO., LTD. [www.eminent.com.tw](http://www.eminent.com.tw)

No.122, Yonglong Rd., Dali Dist., Taichung City 41257 Taiwan R.O.C.  
Tel:+886-4-24075805 Fax:+886-4-24075806  
E-mail: eminentm@ms53.hinet.net